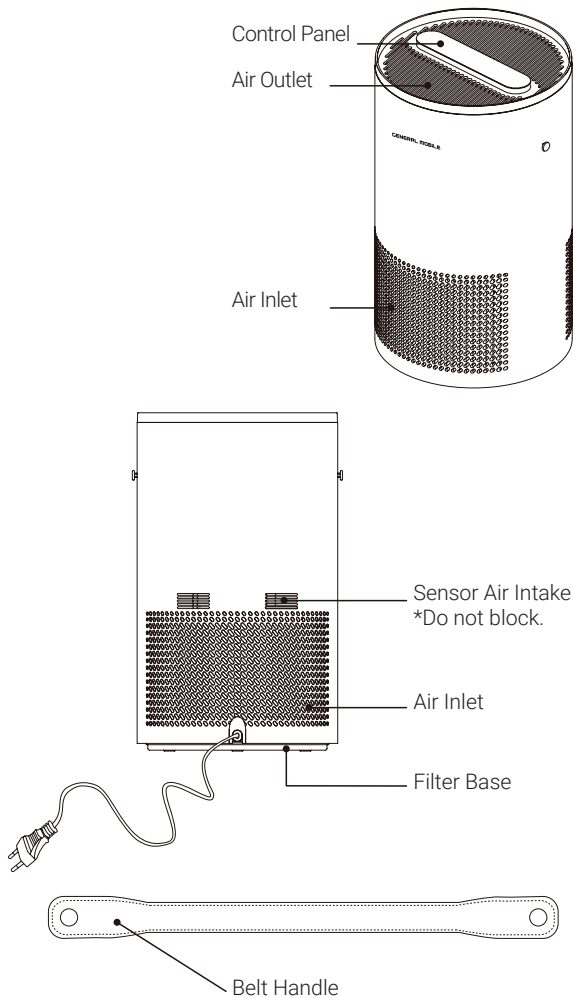


GENERAL MOBILE

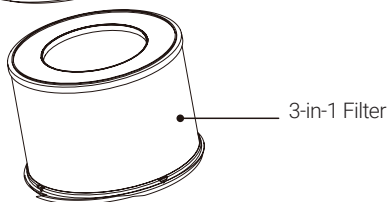
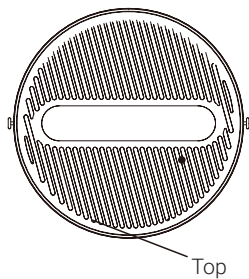
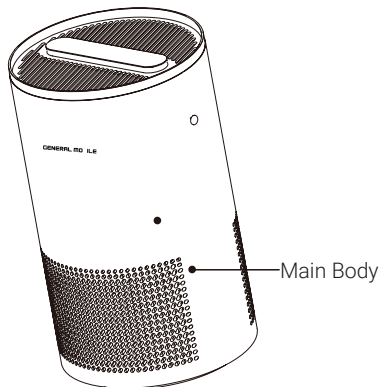
GM Air Purifier

USER MANUAL

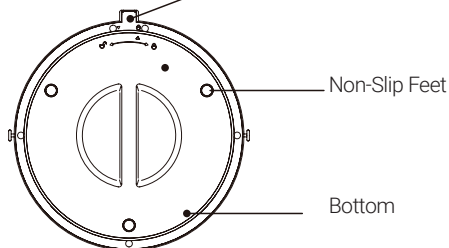
PRODUCT OVERVIEW



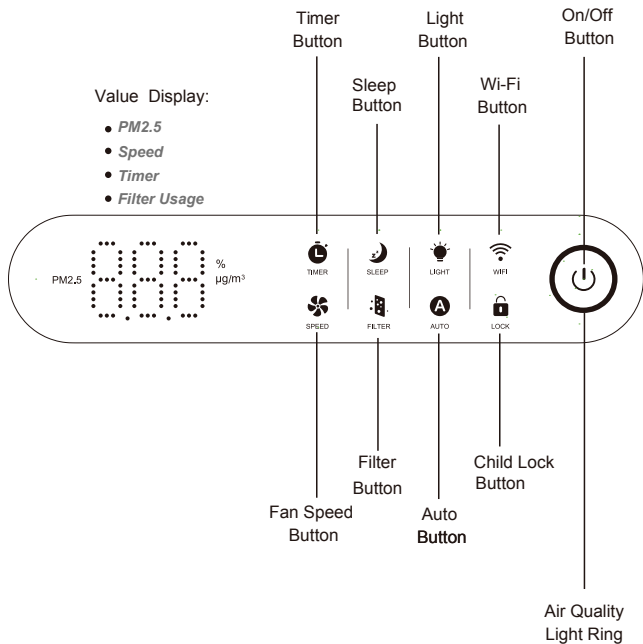
PRODUCT OVERVIEW



Filter Rotating Direction



PRODUCT OVERVIEW



Air Quality Indicator:

The air quality indicator on the Control Panel will change color depending on the air quality in the room, concerning the real time value of PM2.5.

Blue: EXCELLENT

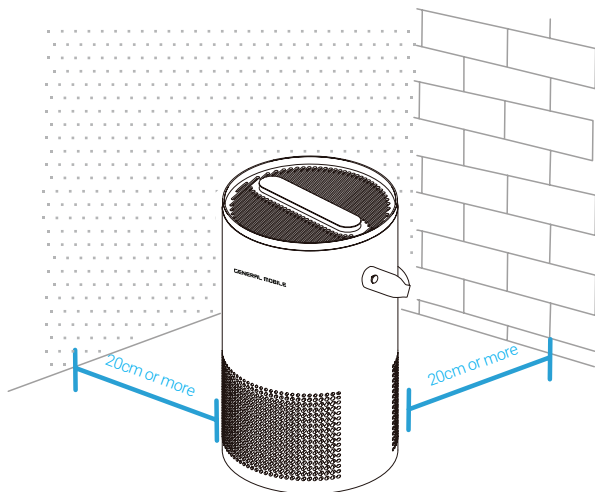
Green: GOOD

Orange: MODERATE

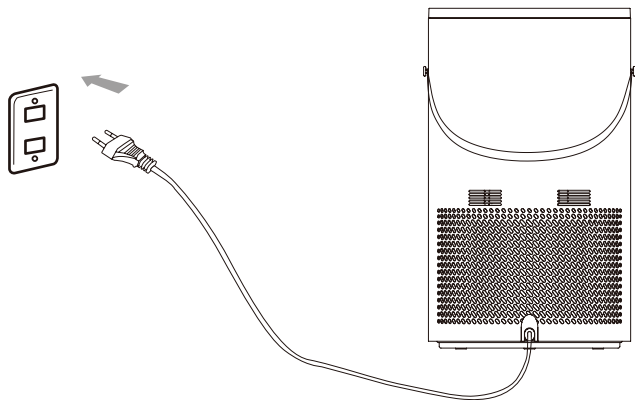
Red: POOR

INSTALLATION

- Place the air purifier on a firm, level surface. Make sure there is at least a 20cm distance between air inlet and wall or nearby furniture.



- Connect the power cord to a power socket.



HOW TO USE

On/Off Button

Tap to turn the air purifier on/off.


WiFi Button

Press and hold 5s to configure the network connection.

Light Button

Tap to select a brightness for all the lights on the control panel. It cycles through: Normal - Dim - Off.

Sleep Button

Tap to turn Sleep Mode on, all light will be off except “” dims, and the unit will run at the lowest speed. Tap “Auto” button or “Speed” button to quit.

Timer Button

Tap repeatedly to set a 1-12 hour timer in one hour intervals.

Fan Speed Button

Tap to select a fan speed from 1 to 3.

Filter Button

Tap to check the remaining life percentage of the filter on the screen. Press and hold for 5s to reset the filter lifetime counter.

Auto Button

Tap to turn Auto Mode on, tap sleep button or speed button to quit. In Auto mode, the fan speed will be determined automatically by the real time air quality detected by the sensor inside.

Child Lock Button

Press and hold for 5s to activate the child lock function, all the buttons will be locked until long pressing again to release.

HOW TO USE APP CONNECTIVITY

Steps

Download "GM Smart" from Google Play Store/App Store or scan the QR code below.



Press and hold the Wi-Fi button for 5s until Wi-Fi icon blinks to enter into pairing mode.

Follow the instructions on your phone to finish the configuration.

Note:

The product could be operated mutely by touching the "Mute" button on APP.

Memory Function

When the air purifier is plugged in, it will remember its programmed settings when turned off, and will resume these settings when turned back on.

CARE & MAINTENANCE

Note:

Always unplug before cleaning or maintaining the unit.

Do not immerse machine in water or any other liquid.

Do not use abrasive, corrosive or flammable products to clean any parts of the unit.

The filters CANNOT be washed.

Clean the Air Purifier

Regularly clean the inside and outside of the air purifier to prevent dust from collecting.

Use a soft, dry cloth to clean both the interior and exterior of the air purifier.

Use a soft brush or cloth to clean the inlet and outlet of the air purifier.

Filter Change Reminder

When “:⌚” flashes, it is time to change your filters. The purifier will comprehensively consider your air quality, operating speed and how often you use your air purifier to calculate the remaining life of your filter. Under normal usage condition, the filter lifetime is around 5,000 hours. Watch out for the signs of an expired filter, even if indicator does not flash:

- Increased noise when the air purifier is on
- Decreased airflow
- Unusual odors
- Visibly clogged filter

Replacing the Filter

Please make sure the air purifier is unplugged from the electrical outlet before installing the filters.

Unwrap the new filter from its plastic packaging.

Follow the steps in “**INSTALLATION**” part.

Press and hold “:⌚” for 5 seconds to reset the filter lifetime counter.

SAFETY INFORMATION

This manual provides important safety messages regarding your electrical home appliance. Always read, follow, and save all safety directions.

General Information

- Only use your air purifier as described in this manual.
- Do not use without removing the plastic wrap from the filter. The purifier will not filter air, and may overheat, causing a fire hazard.
- Do not place or use your air purifier in the following locations:
 - Outdoors. For indoor use only.
 - Soft surfaces such as a bed or sofa as this could cause the unit to tip over.
 - Wet or damp locations, or excessively humid areas.
 - High temperature locations, or near heat sources.
 - Places emitting oily smoke, such as kitchens.
 - Where oil or flammable gas is used, and there may be leakage.
 - Where combustible gases, vapors, metallic dust, aerosol (spray) products, or fumes from industrial oil are present.
 - Where the air outlet faces animals or plants.

- Keep 5 ft / 1.5 m away from where oxygen is being administered.
- Close supervision is necessary when the appliance is used by, on, or near children or persons now authorized to use it.
- Do not sit or place anything on the air purifier.
- Do not use your air purifier if it is damaged or not working correctly, or if the cord or plug is damaged. Do not try to repair it yourself.
- If you find abnormal conditions such as unusual noise, smell, smoke, temperature rise, leakage, etc., please turn off the power switch immediately and then contact Customer Support for assistance.

Power and Cord

- Locate the air purifier near an electrical outlet and avoid using an extension cord.
- Keep the cord out of heavy traffic areas and arrange cord so that it will not be tripped over.
- Never place the cord near any heat source.
- Do not cover the cord with a rug, carpet, or other covering. Do not place the cord under furniture or appliances.

SAFETY INFORMATION

- Do not damage, break, forcefully bend, pull, twist, bundle, coat, pinch, or place heavy objects on the power cord.
- Remove the powder adaptor from the outlet when not in use.
- This power adaptor has a polarized plug (one blade is wider than the other). To reduce the risk of electric shock, this plug is intended to fit in a polarized outlet only one way. If the plug does not fit fully in the outlet, reverse the plug. If it still does not fit, contact a qualified electrician. Do not attempt to defeat this safety feature.
- Use only in the proper electrical socket type. Socket type (voltage & hertz) can be found on the product sticker on the side or bottom of the unit. Plugging the unit in to the incorrect socket type can damage/destroy the unit.

Specification

| | |
|------------------------|---|
| Product: Air Purifier | Rated Voltage: 220-230V,50Hz |
| Model: GM Air Purifier | Rated Powe: 50W |
| CADR: 230m3/h | Noise Level: 49dB(A) (Maximum fan speed) |
| Dimensions: 230*388mm | Net Weight: 3.7kg |

Trouble Shooting

| Problem | Possible Reason | Possible Solution |
|----------------------------------|------------------------------------|--|
| The unit does not work. | No power supply | Check the power supply and electrical fuses. |
| | Power cord damage. | Contact CUSTOMER SUPPORT. |
| The fan does not work. | The unit doesn't turn on | Plug it in and turn on. |
| | The motor is not working | Contact CUSTOMER SUPPORT. |
| | Loose or foreign particles inside. | Contact CUSTOMER SUPPORT. |
| The unit makes an unusual noise. | Unit on uneven ground. | Move to flat surface. |
| | Filter packaging not removed. | Remove plastic bag from filters. |
| | Loose or foreign particles inside. | Contact CUSTOMER SUPPORT. |

| | | |
|---|-------------------------------|--|
| Poor air purification quality. | Air intake or outlet blocked. | Make sure the room is smaller than suggested size. |
| | Outdoor air pollution. | Close doors and windows while running the air purifier. |
| | Large room. | Make sure the room is smaller than suggested size. |
| The unit is producing an unpleasant odor. | Filters need to be replaced. | Replace the air filter. |
| | High humidity level. | Make sure that the air purifier is in a room where the relative humidity is less than 85% RH. Higher humidity levels may cause mildew to grow on the air filter. |
| | New product. | There is a slight smell of non-woven fabric during first use, the smell will disappear by itself after a period of use, which is a normal phenomenon. |

IMPORTER COMPANY

Title : Telpa Teknoloji Hizmetleri A.Ş.
Adress : Hamidiye Mahallesi, Anadolu Caddesi,
No:14 Kağıthane, 34408 İSTANBUL/TÜRKİYE
Stamp and Signature :

telpa
teknoloji
Telpa Teknoloji Hizmetleri A.Ş.
Hamidiye Mah. Anadolu Cad. No: 14 Kağıthane/
Tel: 0212 371 11 00 Faks: 0212 371 11 9
İktili V.D: 837 054 4762 Tic. Sicil No: 1932

SELLER'S

Tradenname :
Adress :
Tel :
Fax :
E-mail :
Invoice Date and Number :
Delivery Date and Place :
Signature of Authorized Person :
Company Stamp :

PRODUCT'S

Type : Air Purifier
Brand : General Mobile
Model : GM Air Purifer
Delivery Date and Place :
Banderole and Serial No :

Declaration of Conformity (RED)

| | |
|---|--|
| We declare that product | |
| Product: | Smart Air Purifier |
| Model Name: | GM Air Purifier |
| Marketing Name: | GM Air Purifier (Brand: General Mobile) |
| (RED Regulations): We hereby declare that the above named product is in conformance to all the essential requirements of the Radio Equipment Directive (2014/53/EU). To which this declaration relates, is in conformity with the following standards and/or other normative documents: | |
| Standards: | EN 60335-1:2012+A11:2014+A13:2017+A1:2019+A14:2019+A2:2019+A15:2021 EN 60335-2-65:2003+A1:2008+A11:2012 EN 62233:2008 EN IEC 62311:2020 EN 50665:2017 ETSI EN 301 489-1 V2.2.3 (2019-11) ETSI EN 301 489-17 V3.2.4 (2020-09) EN IEC 55014-1:2021 EN IEC 55014-2:2021 EN IEC 61000-3-2:2019+A1:2021 EN 61000-3-3:2013+A2:2021 ETSI EN 300 328 V2.2.2 (2019-07) |
| Importer: | Telpa Teknoloji Hizmetleri A.Ş. Hamidiye mah. Anadolu Cad.No:14 Kağıthane İSTANBUL/TÜRKİYE |

Sebahattin YAMAN/CEO



15.04.2023

GENERAL MOBILE

www.generalmobile.com

